

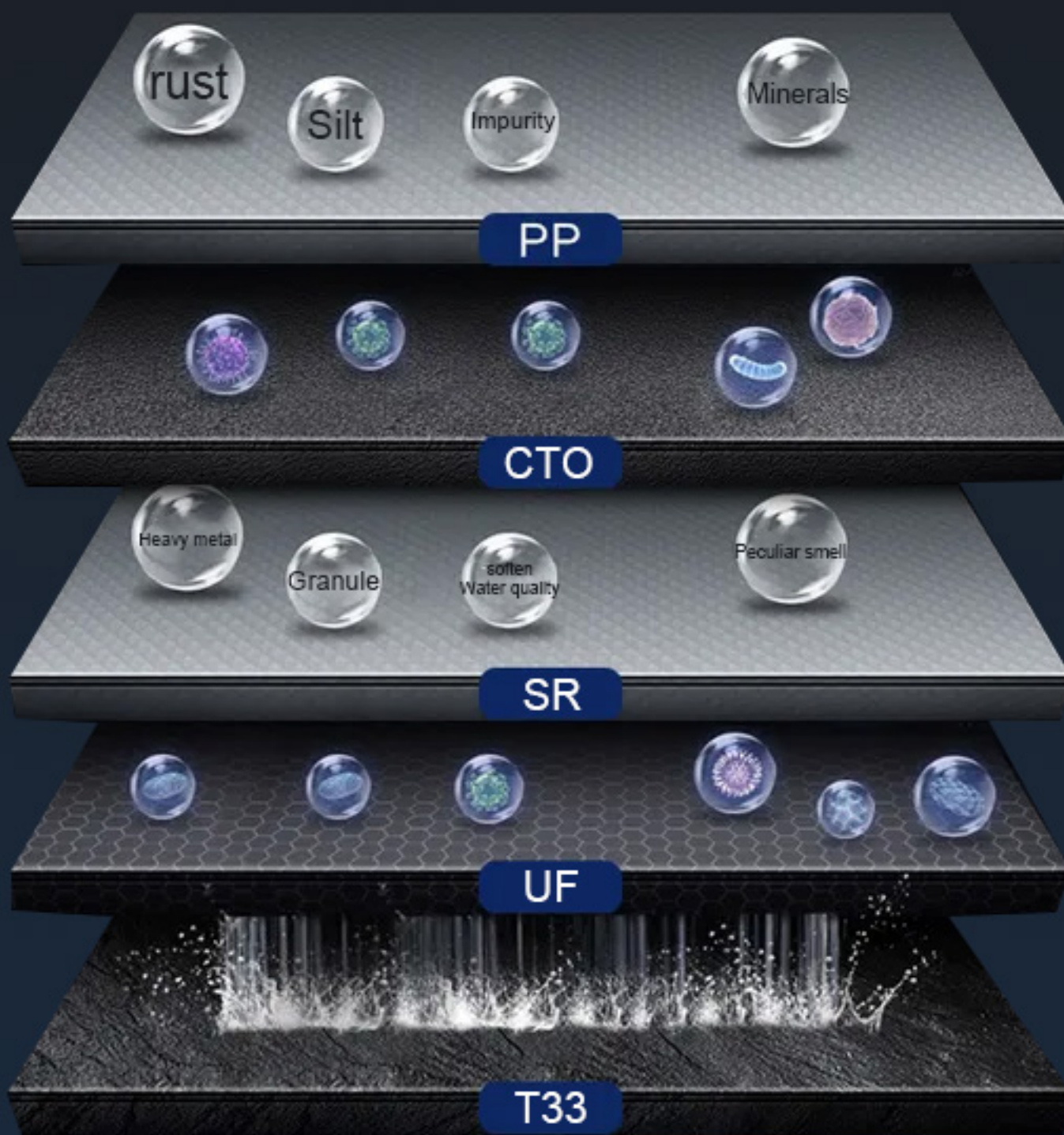
LARGE FLOW ***FOOD GRADE 304 STAINLESS STEEL***

5-stage filtration, direct drinking from the effluent



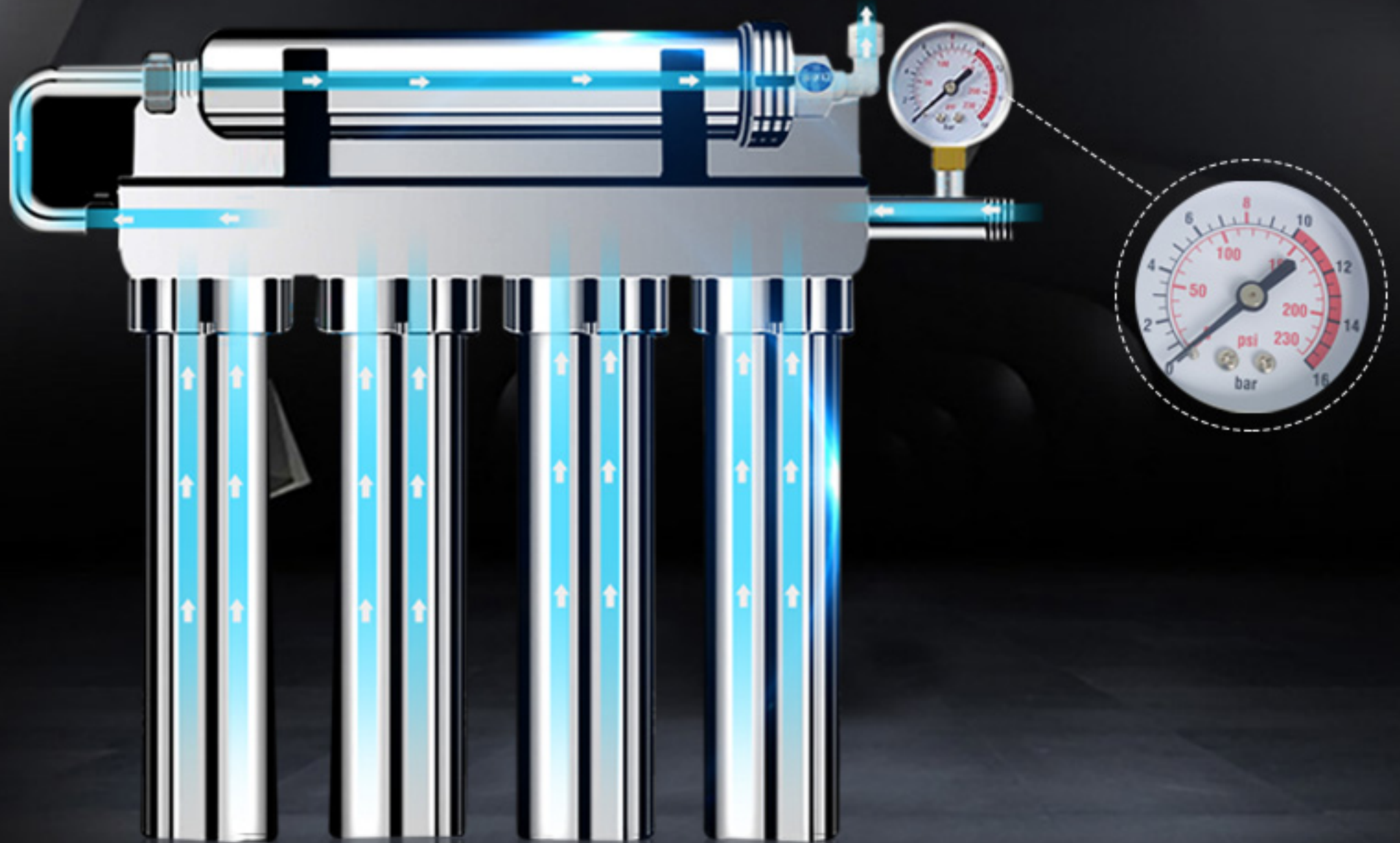
LEVEL 5 DEEP FILTRATION

Maintain water freshness and retain minerals



PRECISION WATER PRESSURE GAUGE INSPECTION

Detect water pressure at any time





Water pressure display



304 stainless steel



5-stage filtration



Large Flow



Small and convenient



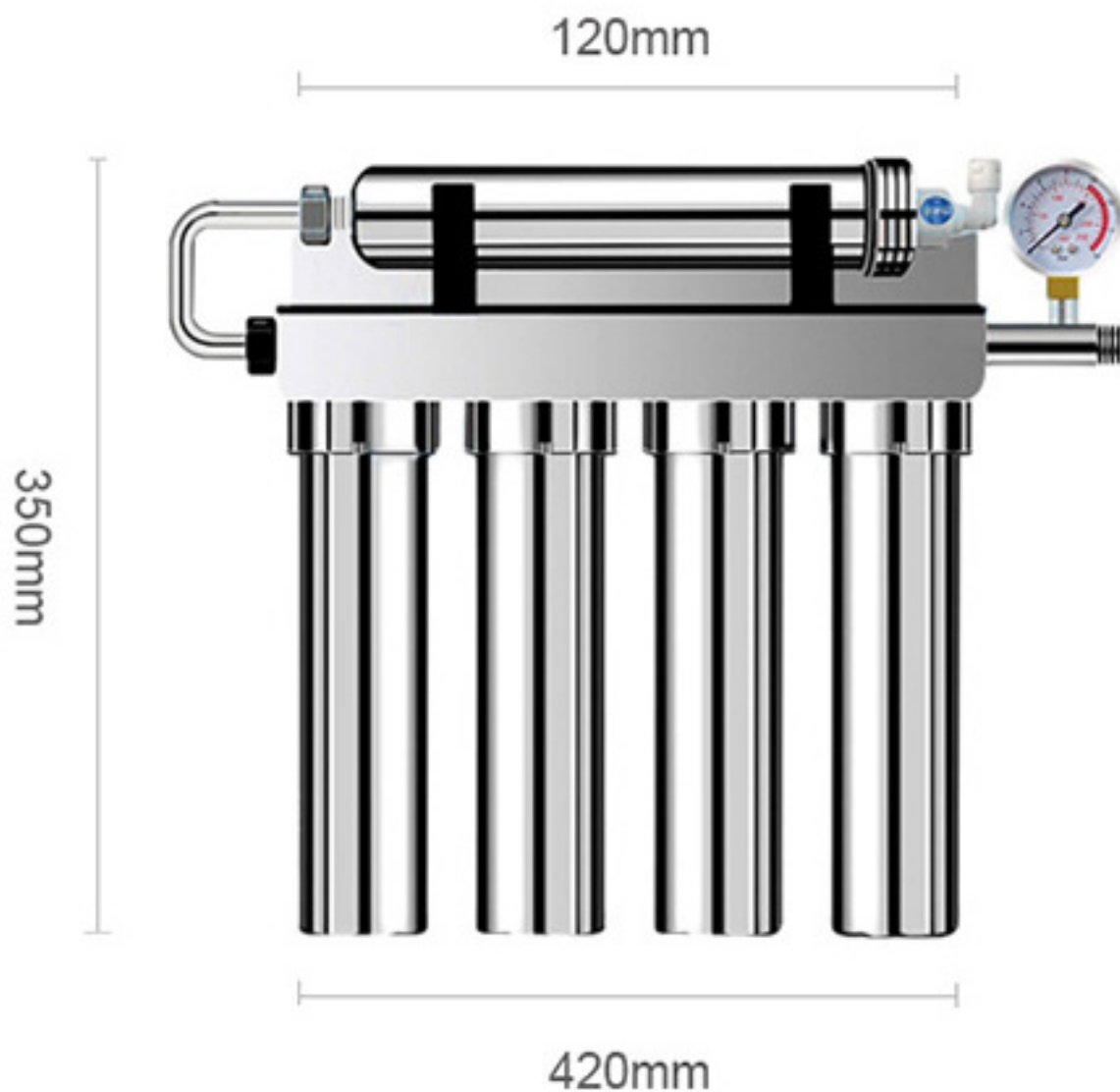
No electricity

MULTIPLE INSTALLATION METHODS

Small size, easy to use, suitable for most kitchens



PRODUCT PARAMETERS



Product Name : Grade V Stainless Steel Ultra Filtration

Product Size : 420*120*350mm

Applicable Water Temperature : 5~45°C

Material : 304stainless steel

Working Water Pressure : 0.1~0.4MPa

Pure Water Flow : 90L/h

Scope Of Application : Municipal tap water

Filtration Accuracy : 0.01 micron